



## **KWP30Q65**

30W Wall Pack Bulkhead, IP65, 40000hrs w/ Microwave Sensor Option



## **Product Overview**

Kosnic's LED Wall Pack Bulkhead offers a low maintenance and robust solution to external lighting for commercial and industrial buildings in applications such as perimeter lighting, pedestrian lighting and vehicle access area lighting. The bulkhead is available with a built-in dusk to dawn sensor that can be set to keep the light on below a range of ambient light levels. It has a metal base, a polycarbonate opal diffuser and is IP65 rated.

# Features

Class I

IP65

Dusk to dawn sensor option

2 x 20mm side knockouts

High lumen output

Long life of 40,000h

Instant start

Negligible UV output

Mercury free

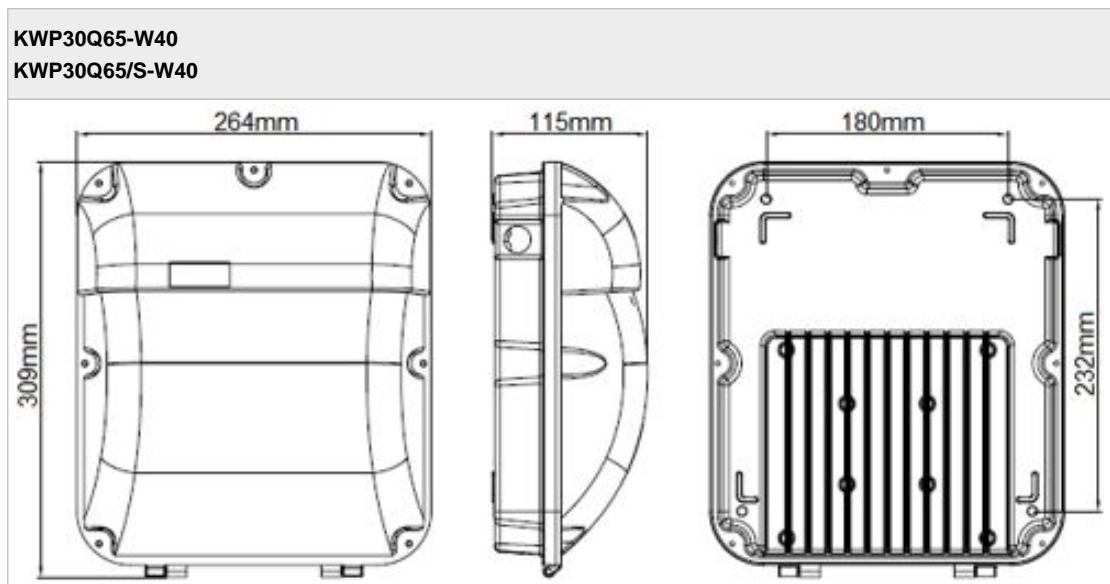
# Specifications

	KWP30Q65-W40	KWP30Q65/S-W40
<b>Shape / Type</b>	Bulkhead	Bulkhead
<b>Colour Finish</b>	Black	Black
<b>Diffuser</b>	White opal diffuser	White opal diffuser
<b>Power (W)</b>	30	30
<b>Total Lumens (lm)</b>	2750	2750
<b>Input Current (mA)</b>	134	143
<b>Input Voltage</b>	220-240Vac 50-60Hz	220-240Vac 50-60Hz
<b>CCT Temperature (k)</b>	4000	4000
<b>CCT Name</b>	Cool White	Cool White
<b>Rated Life (hrs)</b>	40000	40000
<b>Switch Cycles</b>	50000	50000
<b>CRI</b>	84	84
<b>Dimmable</b>	No	Dusk to Dawn Function
<b>Power Factor</b>	0.97	0.91
<b>IP Rating</b>	IP65	IP65
<b>Class Protection</b>	Class I	Class I
<b>Start Time (s)</b>	0.10	0.10
<b>Warm-up Time (s)</b>	Instant full light	Instant full light
<b>Length (mm)</b>	309	309
<b>Width (mm)</b>	264	264
<b>Depth (mm)</b>	115	115
<b>Mercury (mg)</b>	0	0
<b>LMF at Lifetime</b>	0.75	0.75

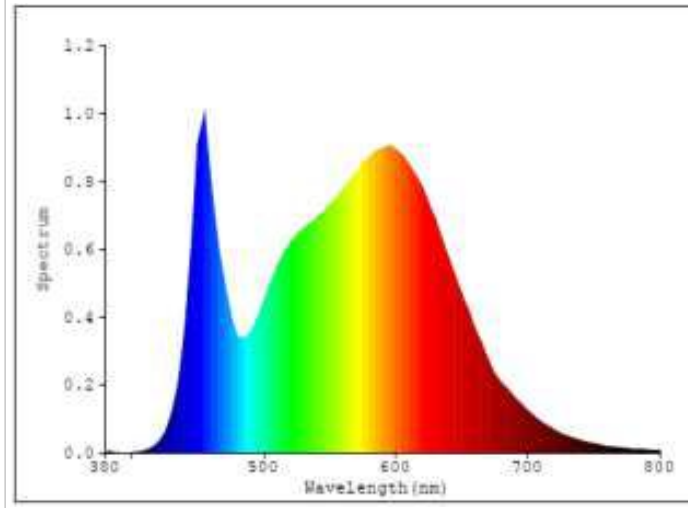
<b>Ambient Temperature (°C)</b>	-20 to 40	-20 to 40
<b>Dusk to Dawn Sensor</b>	No	Yes
<b>Ambient Light Switch On Level (lux)</b>	-	5 - 200 (or disabled)
<b>Barcode</b>	5060063424255	5060063424262

## Packaging

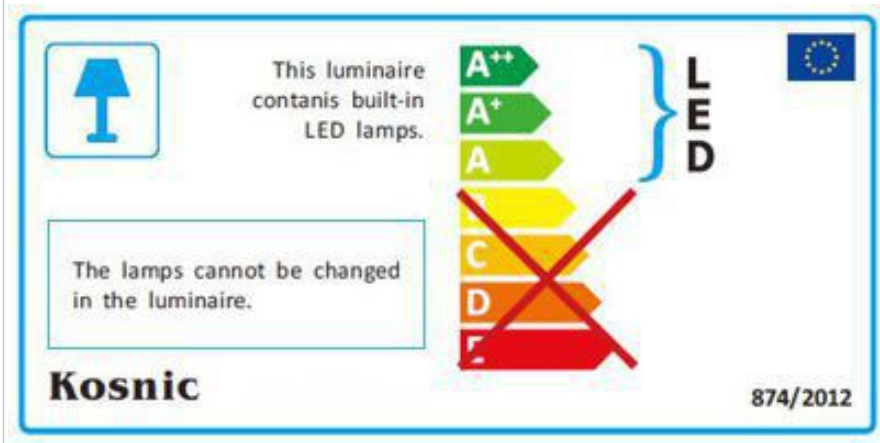
	KWP30Q65-W40	KWP30Q65/S-W40
<b>Outer Box Length (mm)</b>	600	600
<b>Outer Box Width (mm)</b>	320	320
<b>Outer Box Height (mm)</b>	400	400
<b>Volume</b>	0.0768	0.0768
<b>Box Quantity</b>	6	6
<b>Outer Box Weight (kg)</b>	9	9



KWP30Q65-W40  
KWP30Q65/S-W40



KWP30Q65-W40  
KWP30Q65/S-W40



Datasheet generated from <http://www.electrika.com> last updated Tuesday, May 15, 2018 11:27:44 AM