

# Halogen reflector

14501 150W GX5.3 20V



Philips' halogen reflector lamps offer the ideal no-fuss solution for a wide variety of medical, projection and scientific illumination systems. Their proven reliability makes them ideal for retrofit installations. The burners are precisely aligned for optimal light performance. Dichroic reflectors ensure heat dissipation towards the back of the optical system, which helps the optical system remain within temperature limits. A special blue-filter version blocking out unwanted light above 700 nm is available for dental curing applications. In addition, you get all the proven advantages of halogen technology such as a CRI of 100 – the same as natural sunlight for the best possible color rendering. Halogen lamps also create a comfortable warm white light, and they maintain their high lumen output with almost no lumen reduction throughout their lifetime.

## Product data

### • General Characteristics

Philips Code	14501
ANSI Code	DDL
J Code	-
LIF Code	-
Cap-Base	GX5.3
Cap-Base Information	-
Bulb	R50
Bulb Material	Quartz-UV Open
Reflector Finish	Facetted
Filament Shape	-
Operating Position	s105
Main Application	Projection
Life to 50% failures	500 hr

### • Light Technical Characteristics

Color Rendering Index	100 Ra8
Color Temperature	3150 K
Technical Luminous Flux Lamp	400 Lm

### • Electrical Characteristics

Lamp Wattage	150 W
Voltage	20 V
Dimmable	Yes

### • Luminaire Design Requirements

Pinch Temperature	350 (max) C
Bulb Temperature	900 (max) C
Working Distance	165 mm
WD	

### • Product Dimensions

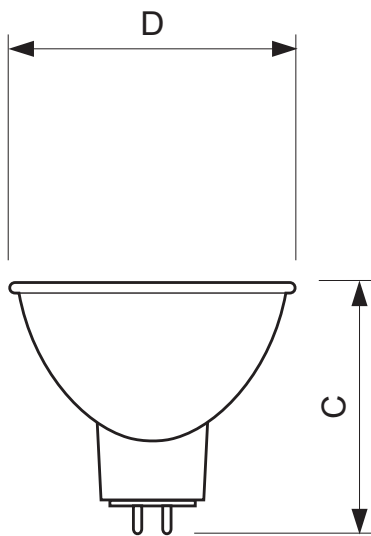
Overall Length C	44.45 (max) mm
Diameter D	50.67 (max) mm
Filament Dimensions (WxH) [mm]	-

### • Product Data

Order code	923921419794
Full product code	923921419794
Full product name	14501 150W GX5.3 20V
Order product name	DDL 150W 20V 24PK
Pieces per pack	1
Packing configuration	24
Packs per outerbox	24
Bar code on pack - EAN1	8711500410610
Bar code on outerbox - EAN3	8711500419002
Logistic code(s) - 12NC	923921419794
Net weight per piece	0.026 kg

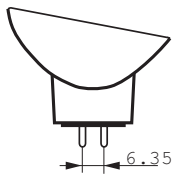
**PHILIPS**

## Dimensional drawing



### 14501 150W GX5.3 20V

Product	C (Max)	D (Max)	L (Min)	L (Norm)	L (Max)
14501 150W GX5.3 20V	44.45	50.67	-	-	-



GX5.3



© 2014 Koninklijke Philips N.V. (Royal Philips)  
All rights reserved.

Specifications are subject to change without notice. Trademarks are the property of Koninklijke Philips N.V. (Royal Philips) or their respective owners.

[www.philips.com/lighting](http://www.philips.com/lighting)

2014, April 11  
data subject to change