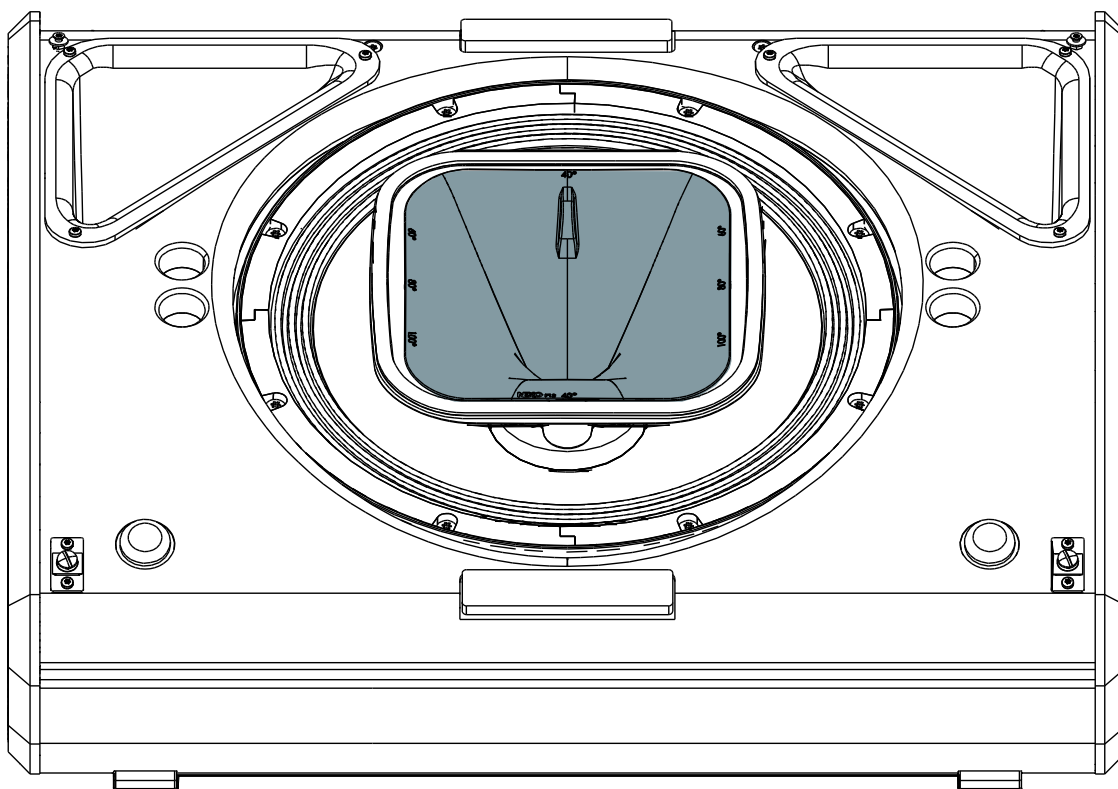
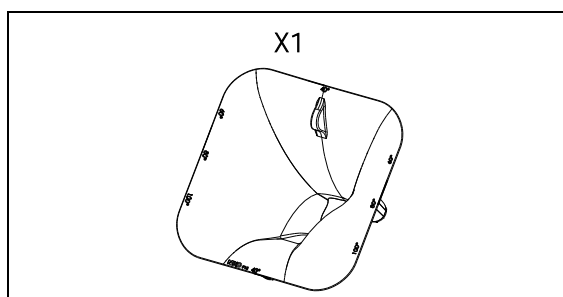


Flange dispersion adapter 'PS' for P12



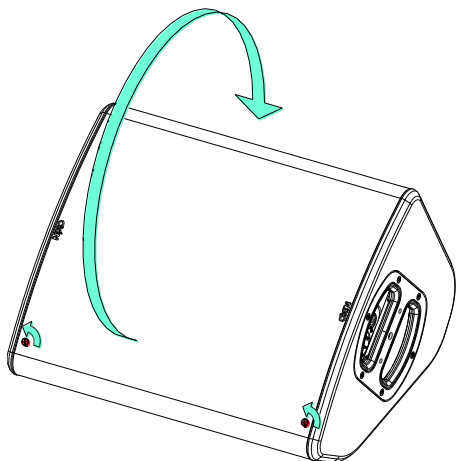
Contents:



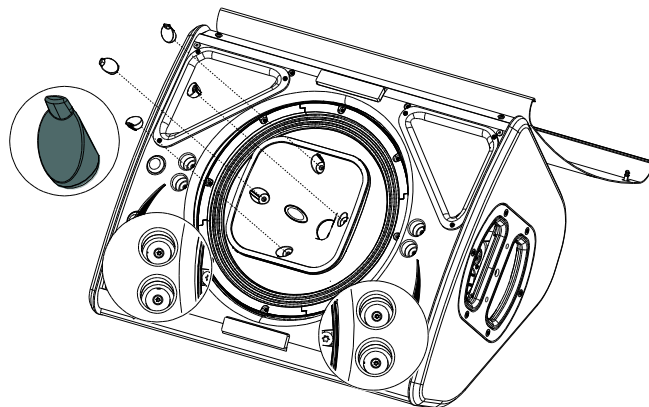
Weight: 0.5 kg / 1.1 lb

Use:

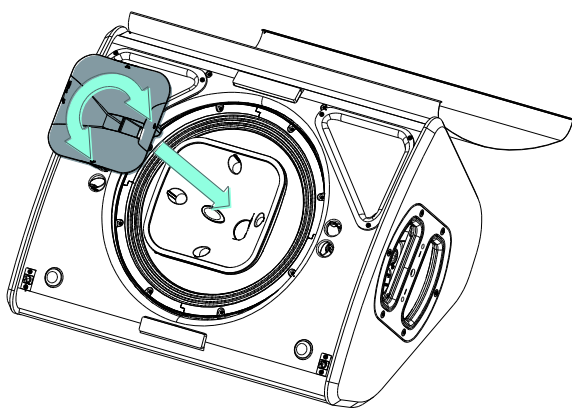
1 Unlock the 2 quarter-turn screws, Remove the grille.



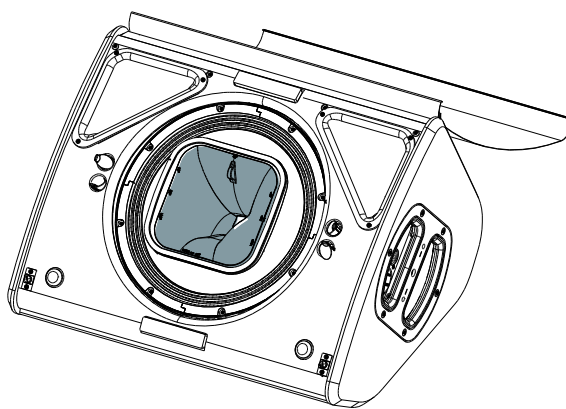
2 Remove the 4 HF Cap and store them.



3 Place the flange, if necessary rotate it.



4 Magnets keep the flange in place.



When replacing the grille, ensure it is well positioned in the top blade before fasten with quarter-turn screws.

- NEXO cannot accept responsibility for accidents caused by any factor other than defects in this product itself.
- Please check the web site nexo-sa.com for the latest update.

NEXO

nexo-sa.com

ZA du Pre de la Dame Jeanne
60128 PLAILLY - France

- Read this document before using.
- Keep this document.
- Observe all warnings and cautions.

