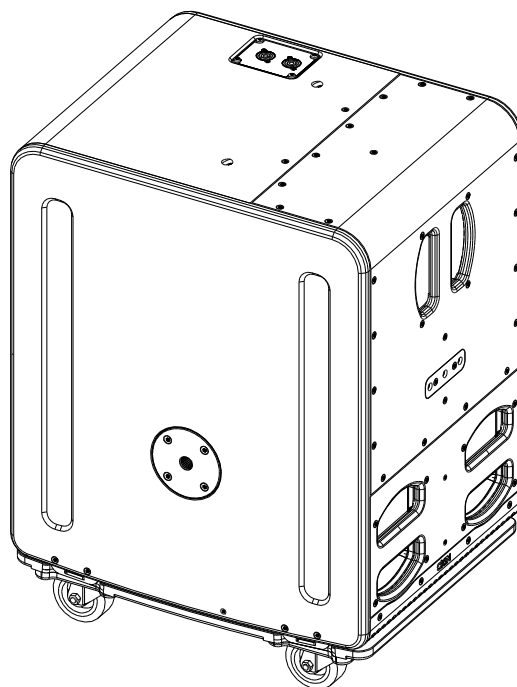
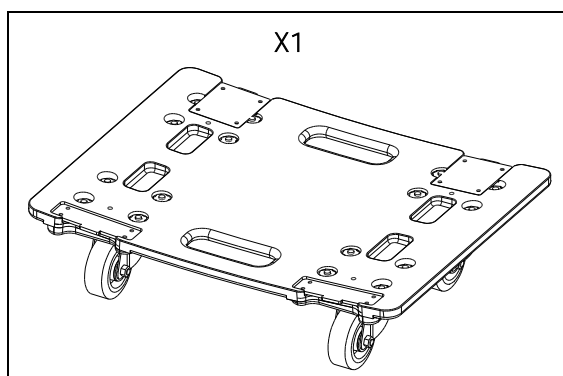


## Wheelboard for L15

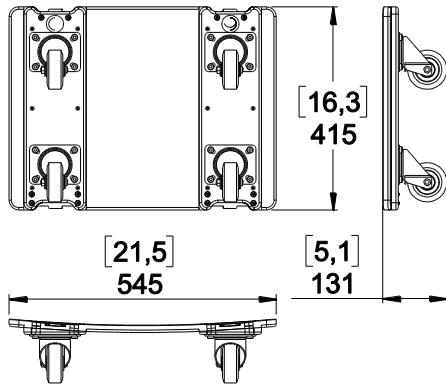


### Contents:



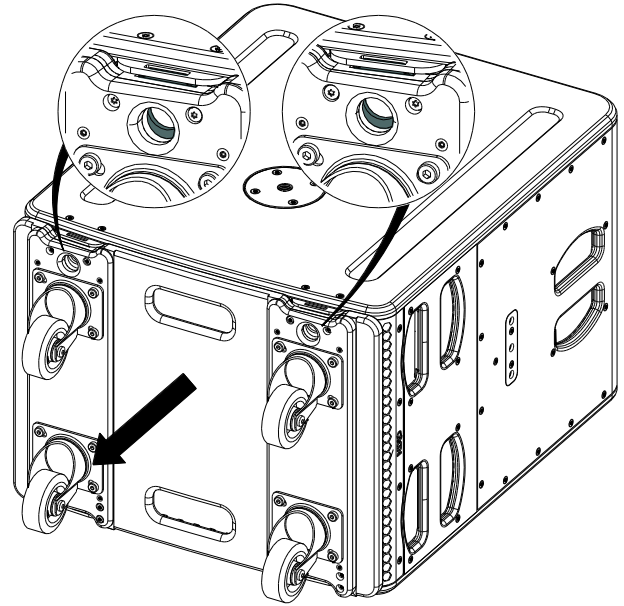
Weight: 6.5 kg / 14.4 lb

**Dimensions:**

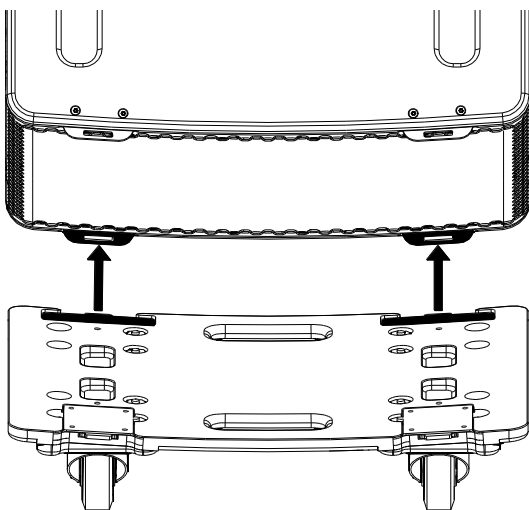


**Use:**

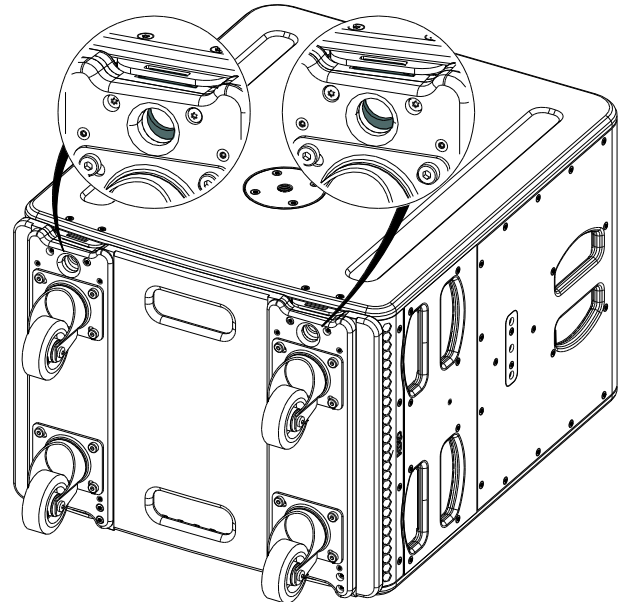
- Push the 2 latches to unlock the Wheelboard.
- Pull up the Wheelboard towards you.



Insert the 2 metal brackets in the spigots.



Push the 2 latches and lock the Wheelboard.



- NEXO cannot accept responsibility for accidents caused by any factor other than defects in this product itself.
- Please check the web site [nexo-sa.com](http://nexo-sa.com) for the latest update.

**NEXO**

[nexo-sa.com](http://nexo-sa.com)

ZA du Pre de la Dame Jeanne  
60128 PLAILLY - France

- Read this document before using.
- Keep this document.
- Observe all warnings and cautions.

