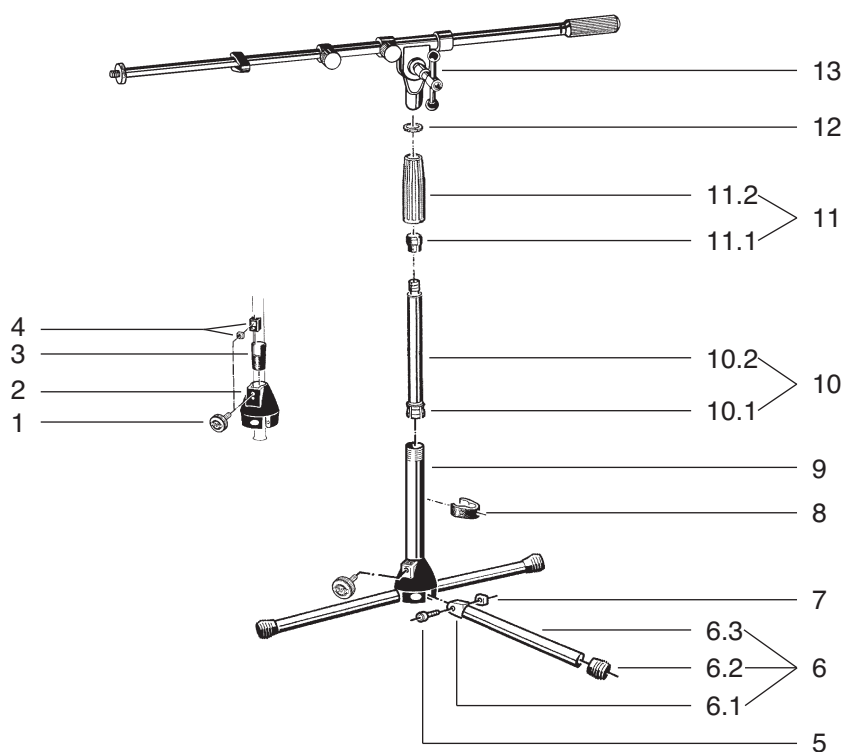


259 Microphone Stand

25900.300.01 nickel

25900.300.55 black



pos.	description	art.-no. nickel	art.-no. black	qty
1	knurled knob M6 x 16 mm	01.82.948.55	01.82.948.55	1
2	socket	02.41.130.55	02.41.130.55	1
3	spacer ring	01.86.260.55	01.86.260.55	1
4	plastic locking spacer	6.86642.1.55	6.86642.1.55	1
5	allen screw M5 x 36 mm	03.02.176.00	03.02.176.00	3
6	complete leg, consisting of:	6.82723.1.01	6.82723.1.55	3
6.1	plastic connector joint	01.87.924.55	01.87.924.55	1
6.2	end-cap	01.84.882.55	01.84.882.55	1
6.3	leg tubing	02.82.723.01	02.82.723.55	1
7	locking nut M5	03.08.210.29	03.08.210.29	3
8	plastic cable holder \varnothing 20 mm	01.85.970.55	01.85.970.55	1
9	base rod	02.75.120.01	02.75.120.55	1
10	extension rod complete, consisting of:	7.259.030401	7.259.030455	1
10.1	plastic stop	01.85.070.55	01.85.070.55	1
10.2	extension rod	7.259.030501	7.259.030555	1
11	sleeve assembly complete, consisting of:	7.200.000555	7.200.000555	1
11.1	plastic ring	01.86.820.55	01.86.820.55	1
11.2	plastic tightening sleeve	01.86.920.55	01.86.920.55	1
12	aluminium threaded washer	03.31.525.00	03.31.550.15	1
13	boom arm 211/1	21110.300.01	21110.300.55	1