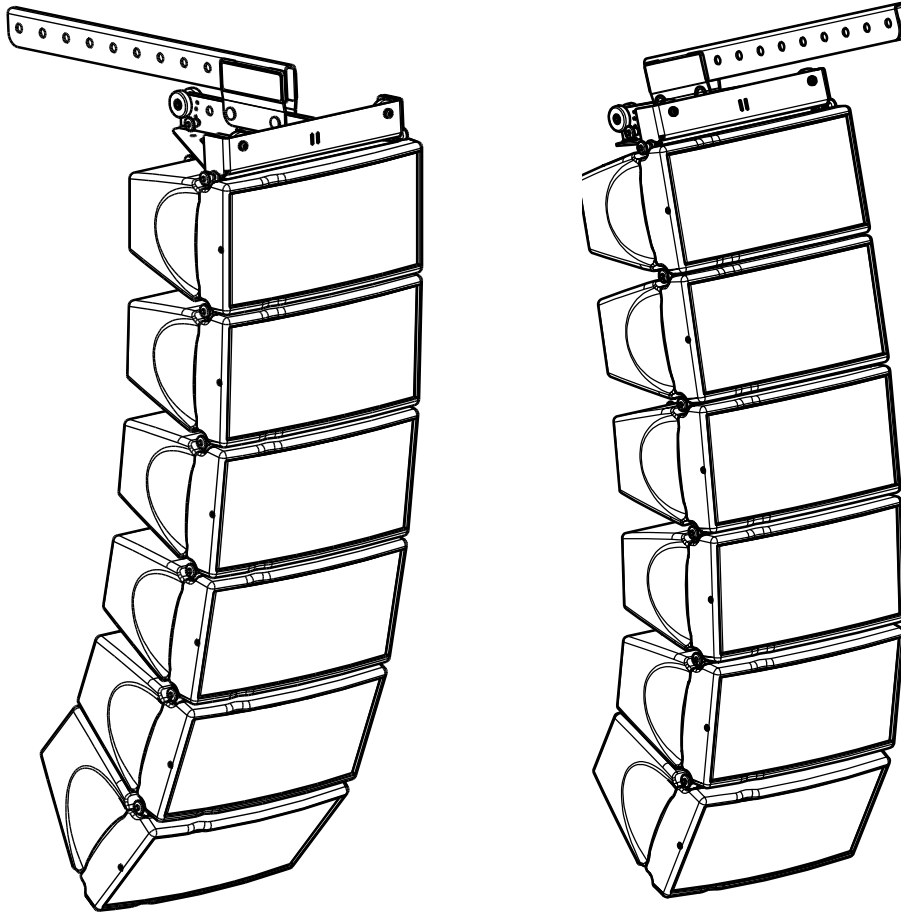
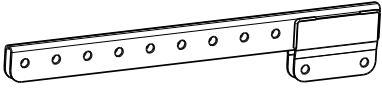
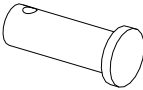



Extension Bar for GeoM6



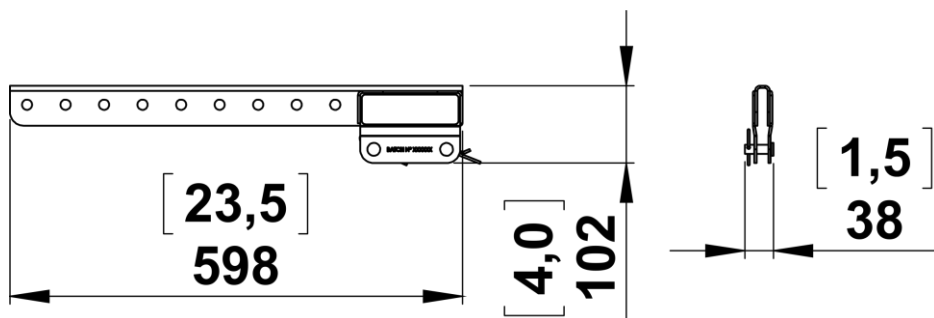
Contents:

<p>X1</p> 	<p>X2</p> 	<p>X2</p> 
---	---	---

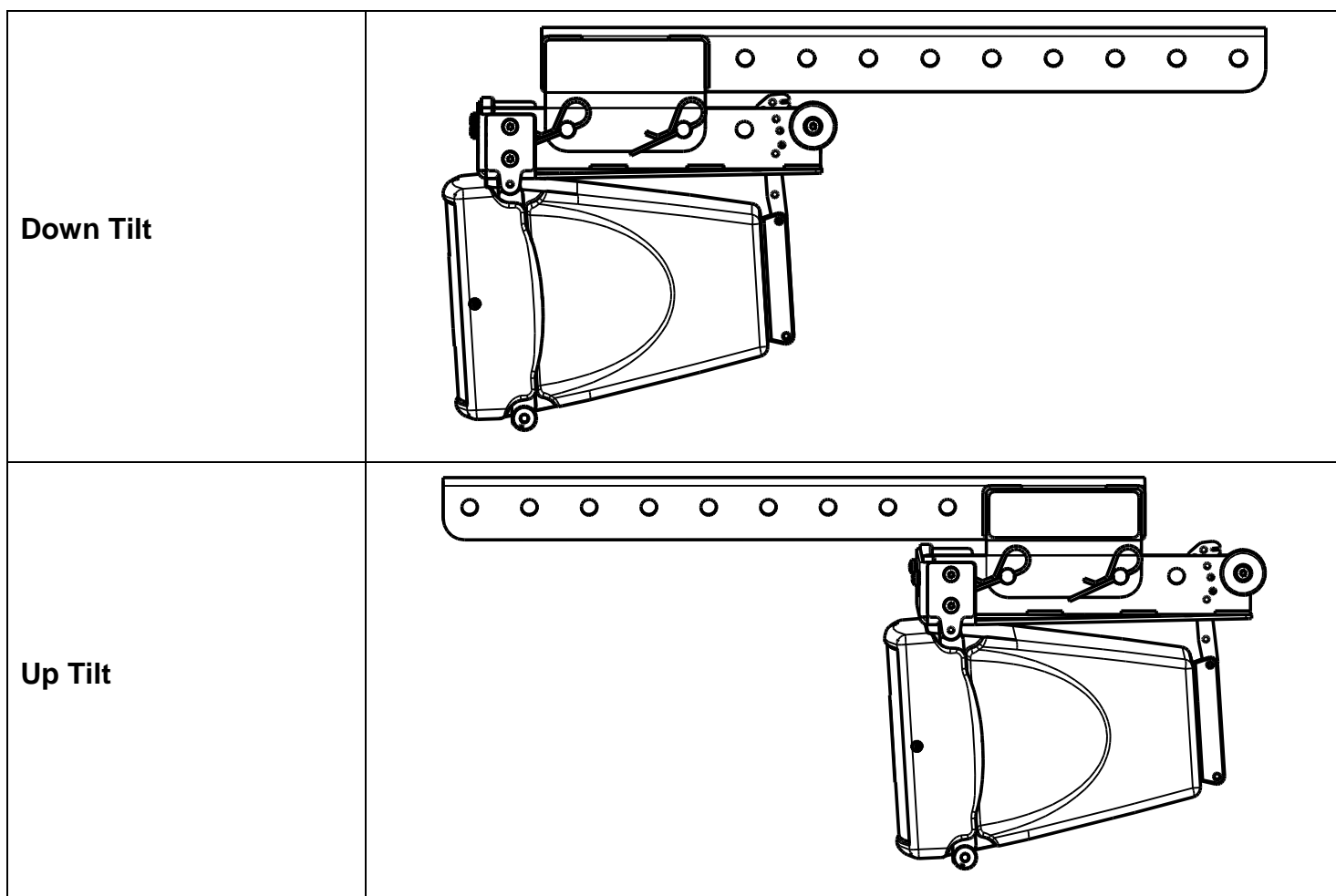
Weight: 1.9 kg / 4.2 lb

- Read this document before using.
- Keep this document.
- Observe all warnings and cautions.

Dimensions:



Warning: Positioning only with “B” – “D” on GMT-BUMPER



- NEXO cannot accept responsibility for accidents caused by any factor other than defects in this product itself.
- Please check the web site nexo-sa.com for the latest update.

NEXO

nexo-sa.com
 ZA du Pre de la Dame Jeanne
 60128 PLAILLY - France

- Read this document before using.
- Keep this document.
- Observe all warnings and cautions.



NEXO

nexo-sa.com
ZA du Pre de la Dame Jeanne
60128 PLAILLY - France

- Read this document before using.
- Keep this document.
- Observe all warnings and cautions.

