

DMX controlled RGB LED PWM-Driver

Ordernr: A9915011

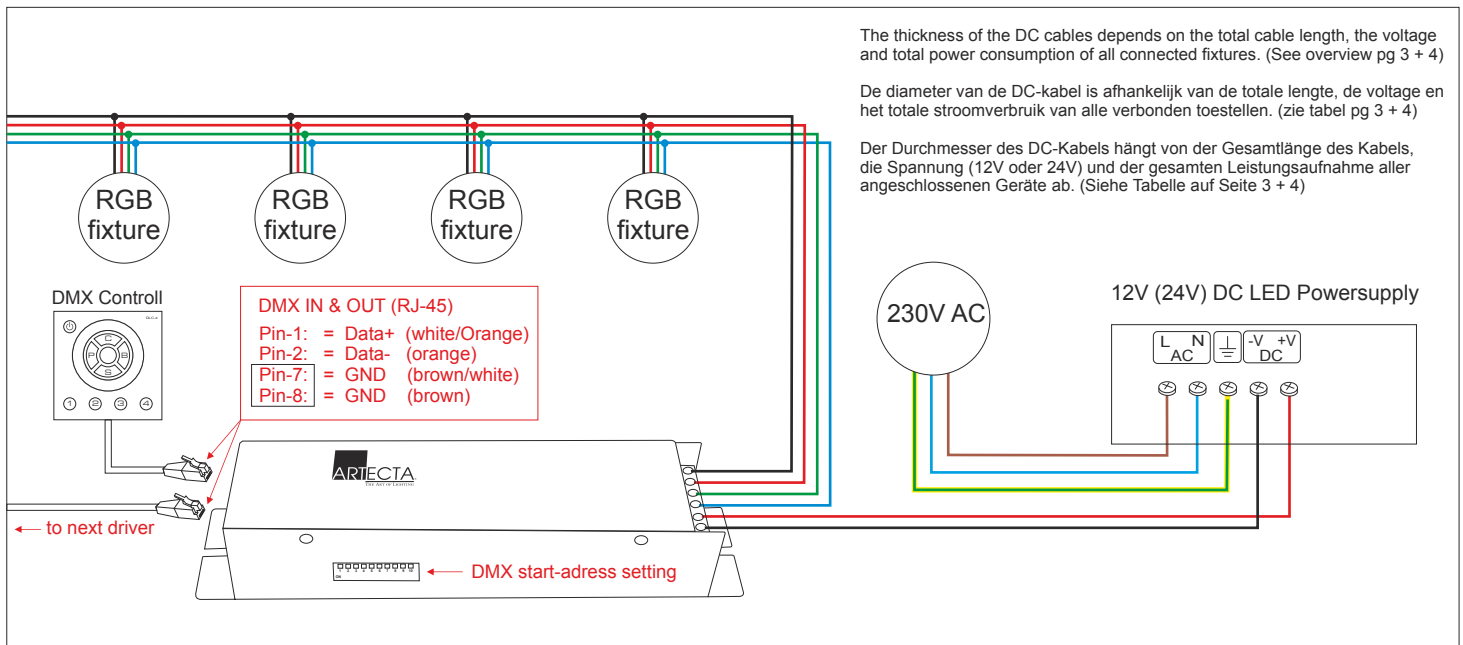
- Working modes:
- DMX - (RGB) 3-Channel
 - Standalone, color-fade program

DMX:
 Operating Power: 12-24V DC
 Max. Output: (3x 5A) (Red-out: 5A / Green-out: 5A / Blue-out: 5A)

Weight: 0,22 Kg
 Dimensions: 177 x 41 x 33 mm
 Classification: IP-20

Operation temp.: 0°C to 40°C
 Storage temp.: -20°C to +70°C

Dimensions in mm



Advised 12V & 24V LED power Supplies: **IP20**

A9900310	DC 12V	25W
A9900311	DC 12V	50W
A9900313	DC 12V	100W
A9900320	DC 24V	26W
A9900321	DC 24V	53W
A9900323	DC 24V	108W

RS-Serie (see page 94 new products catalogue)

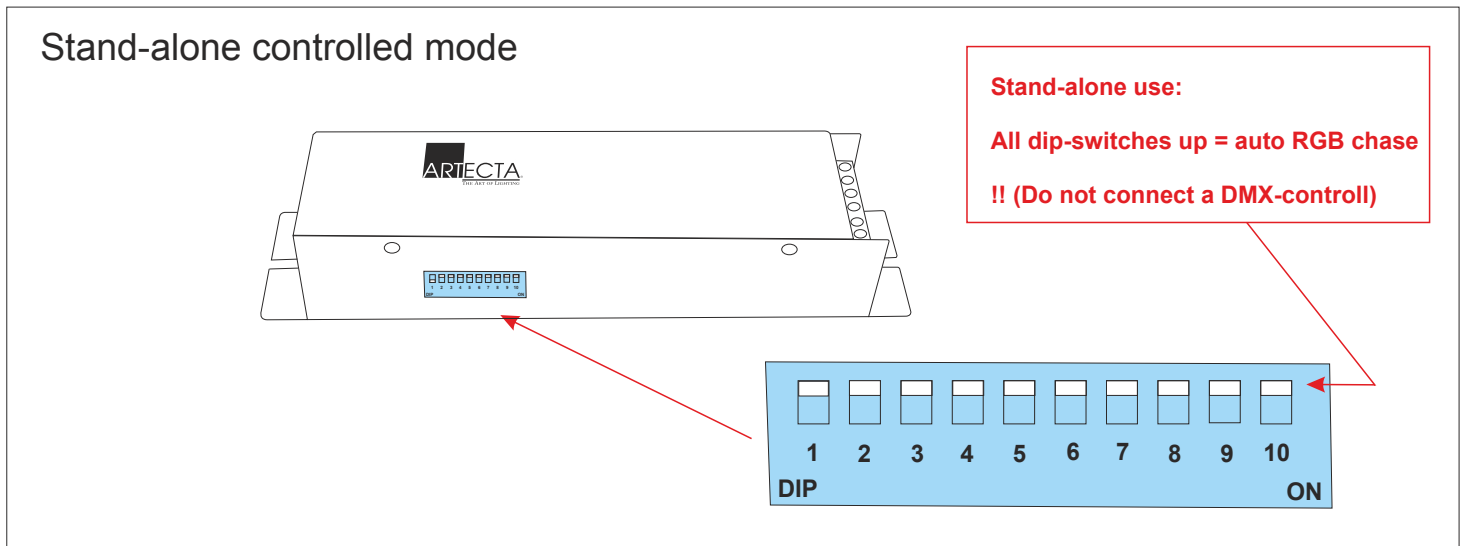
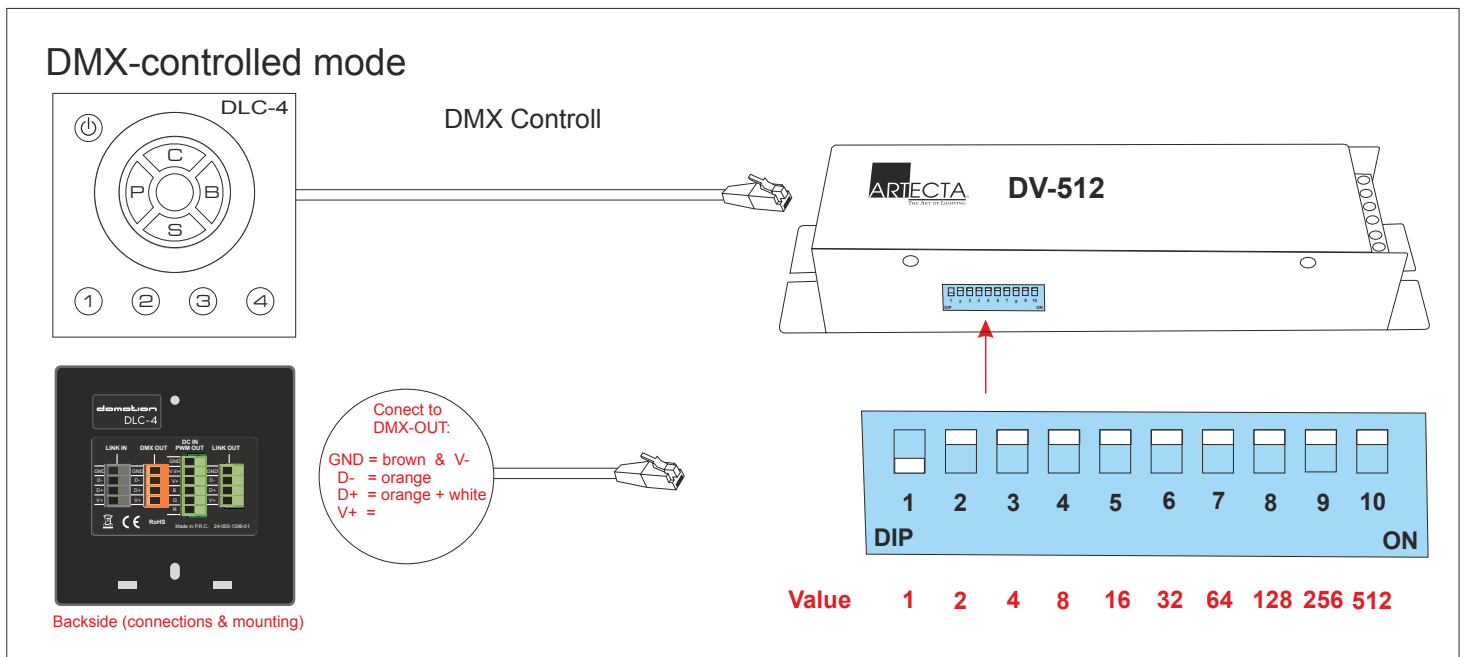
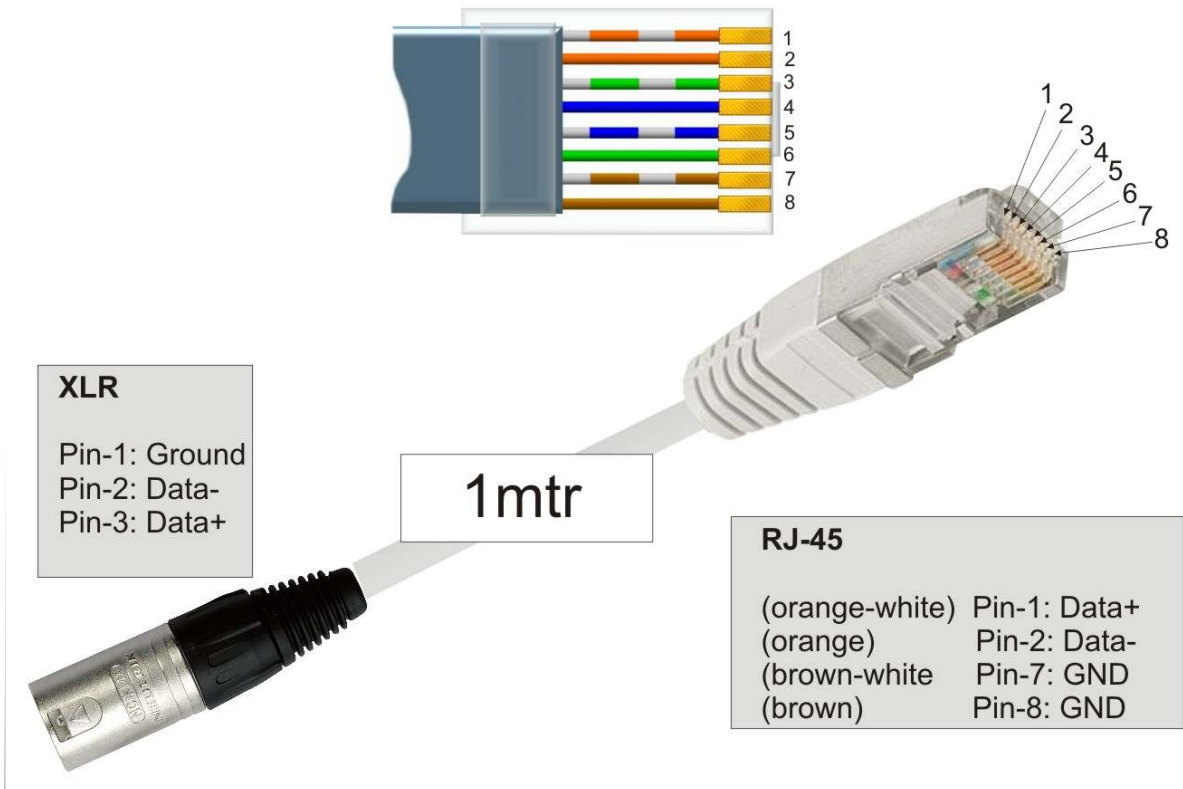
A9900331	DC 12V	102W
A9900332	DC 12V	150W
A9900333	DC 12V	200W
A9900334	DC 12V	300W
A9900341	DC 24V	101W
A9900342	DC 24V	150W
A9900343	DC 24V	202W
A9900344	DC 24V	312W

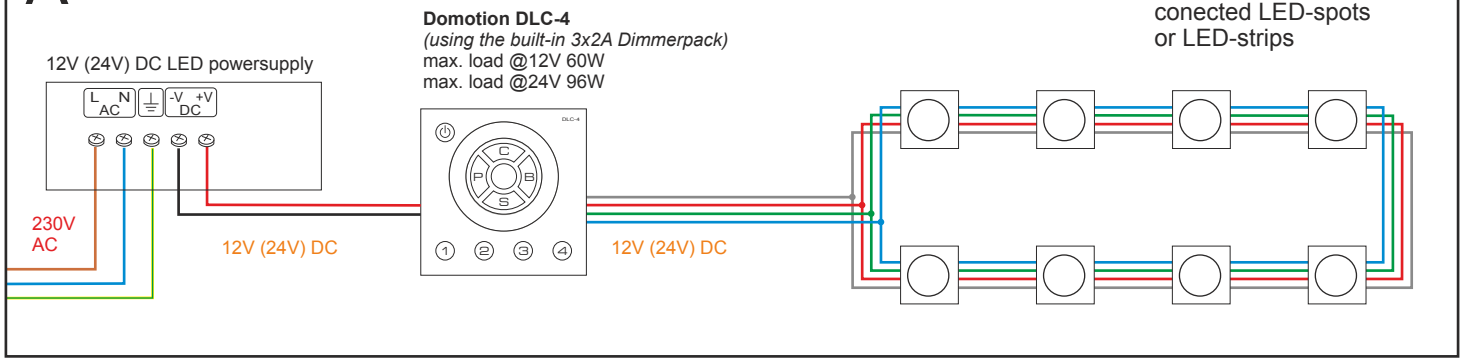
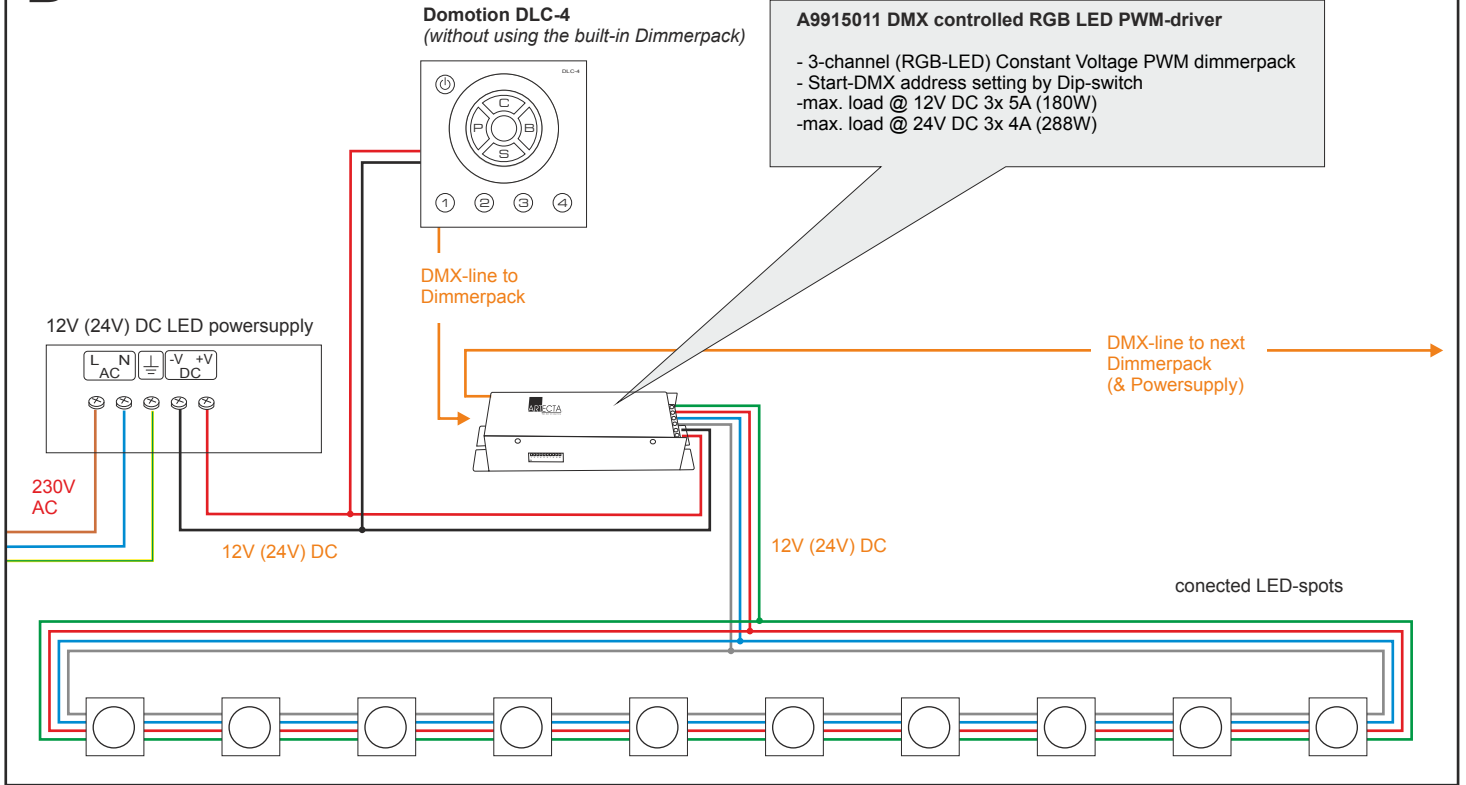
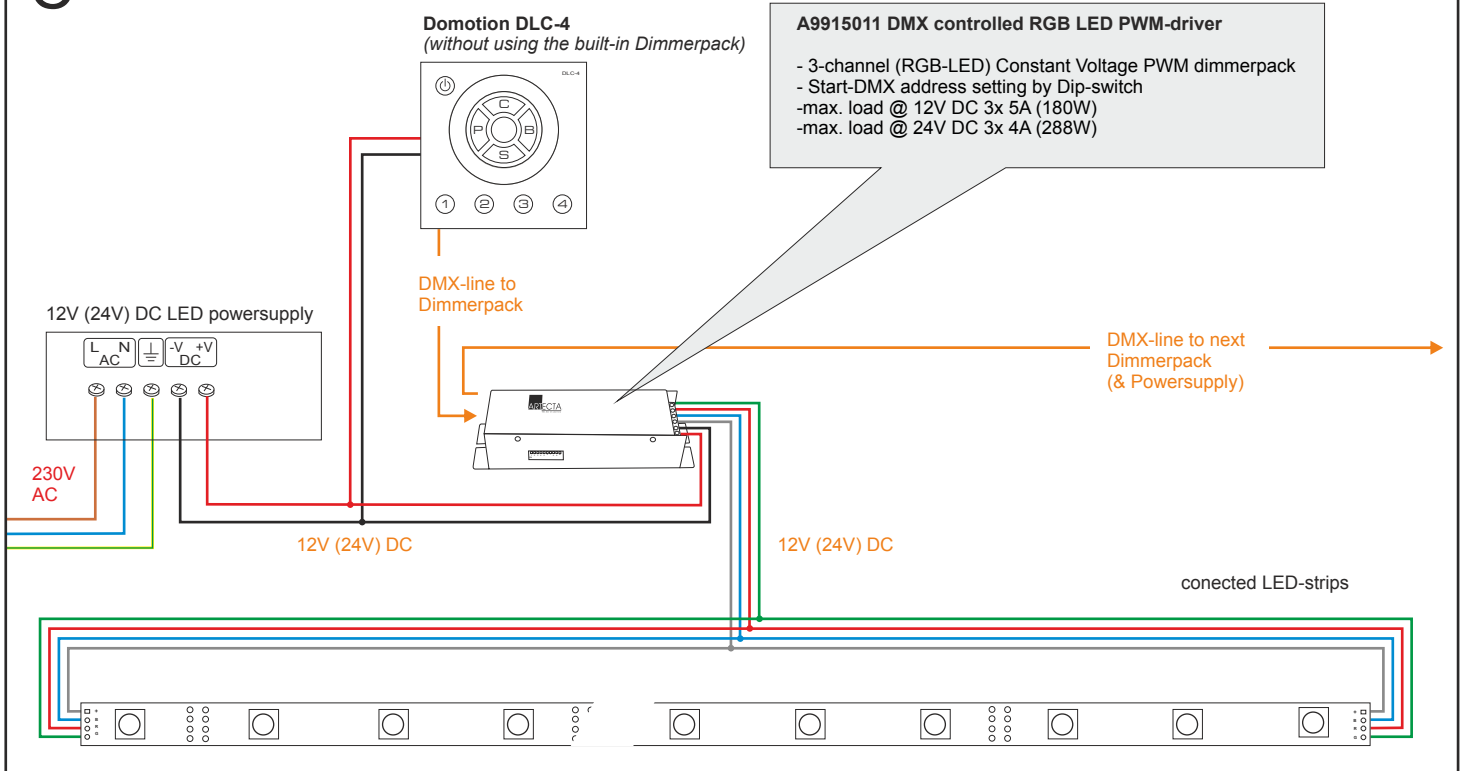
SP-Serie (see page 95 new products catalogue)

Advised 12V & 24V LED power Supplies: **IP64**

A9900350	DC 12V	30W
A9900351	DC 12V	60W
A9900352	DC 12V	60W
A9900360	DC 24V	30W
A9900361	DC 24V	60W
A9900362	DC 24V	96W

PLN-Serie (see page 96 new products catalogue)



A**B****C**

Stand-alone mode without using a DMX-controller

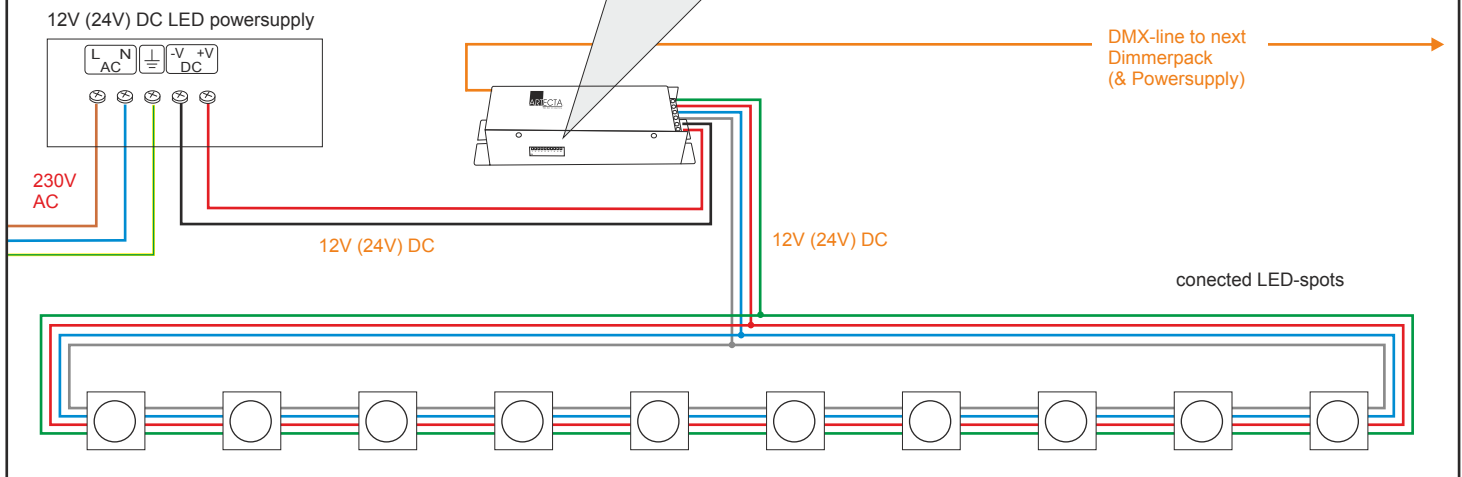
In stand-alone mode the dimmer creates a 2-minutes fade-slide-show;
red-orange-yellow-green-blue-purple

B

A9915011 DMX controlled RGB LED PWM-driver in stand-alone mode

Dip-switch setting: Switch1-10 set "ON"

-max. load @ 12V DC 3x 5A (180W)
-max. load @ 24V DC 3x 4A (288W)

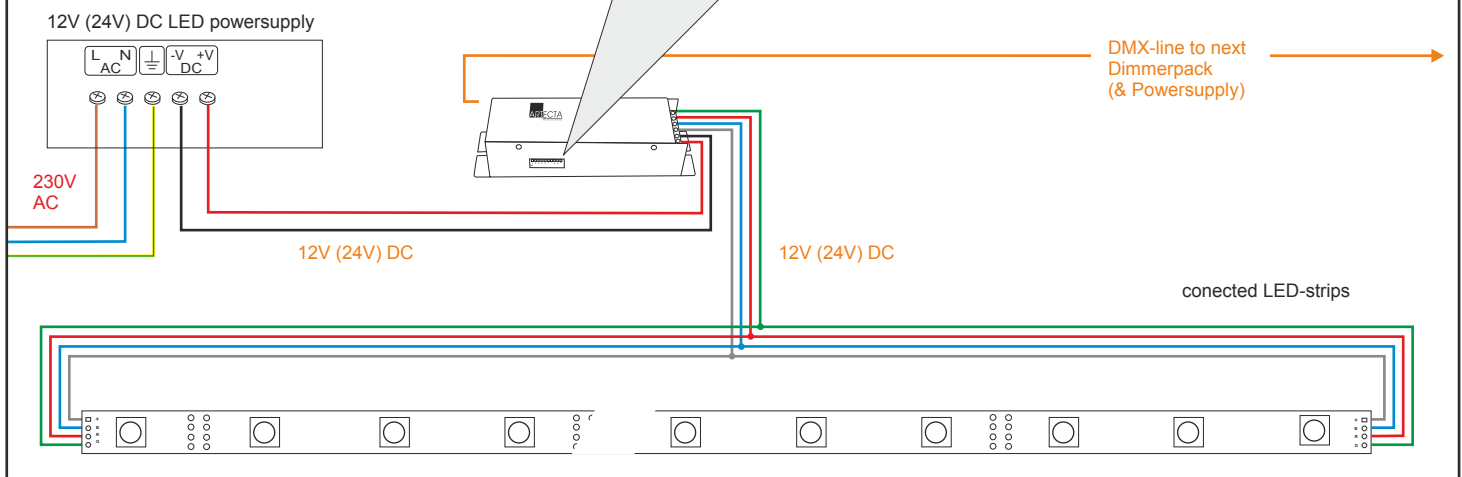


C

A9915011 DMX controlled RGB LED PWM-driver in stand-alone mode

Dip-switch setting: Switch1-10 set "ON"

-max. load @ 12V DC 3x 5A (180W)
-max. load @ 24V DC 3x 4A (288W)

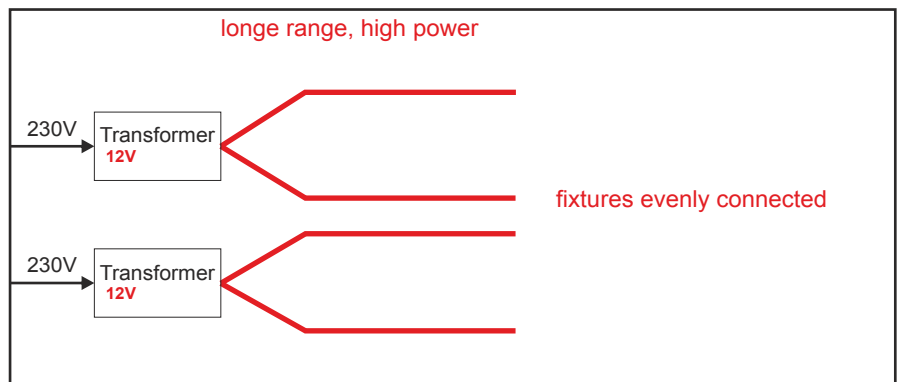
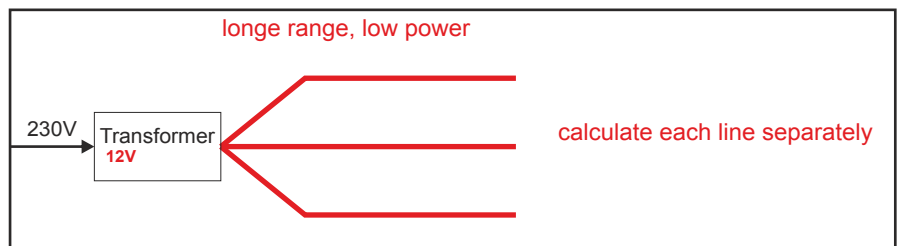
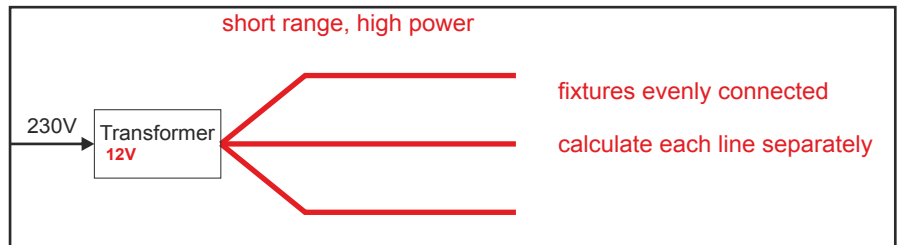
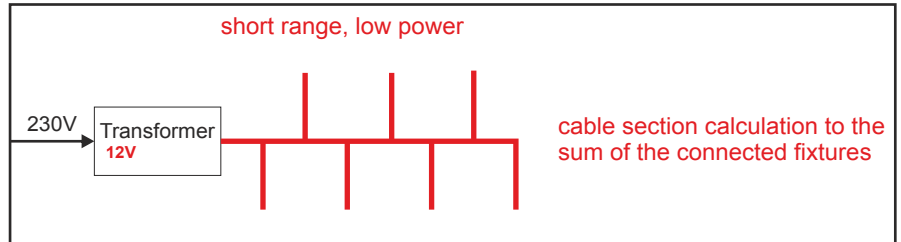


Recommended cable conductor surface (mm²) with cable lengths of 1-50 meters. for parallel connected 12 volt LED fixtures.

Note; This table is an obligation and not a binding opinion. If necessary, make a electrical resistance calculation (Pouillet $A \times R = p \times l$)

12 Volt		cable inner conductor 1.5mm ²										cable inner conductor 2.5mm ²										cable inner conductor 4mm ²																			
Watt		12	24	36	48	60	72	84	96	108	120	132	144	156	168	180	192	204	216	228	240	252	264	276	288	300	312	324	336	348	360										
Kabel-length (m)	Ampere	1	2	3	4	5	6	7	8	9	10	11	12	13	14	15	16	17	18	19	20	21	22	23	24	25	26	27	28	29	30										
	1		1.5mm ²																																						
2		1.5mm ²																								2.5mm ²						4mm ²									
3		1.5mm ²																		2.5mm ²						4mm ²															
4		1.5mm ²												2.5mm ²						4mm ²																					
5		1.5mm ²										2.5mm ²						4mm ²																							
6		1.5mm ²								2.5mm ²						4mm ²																									
7		1.5mm ²						2.5mm ²						4mm ²																											
8		1.5mm ²					2.5mm ²						4mm ²																												
9		1.5mm ²				2.5mm ²						4mm ²																													
10		1.5mm ²			2.5mm ²						4mm ²																														
11		1.5mm ²		2.5mm ²						4mm ²																															
12		1.5mm ²	2.5mm ²						4mm ²																																
13		1.5mm ²	2.5mm ²					4mm ²																																	
14		1.5mm ²	2.5mm ²				4mm ²																																		
15		1.5mm ²	2.5mm ²			4mm ²																																			
16		1.5mm ²	2.5mm ²		4mm ²																																				
17		1.5mm ²	2.5mm ²	4mm ²																																					
18		1.5mm ²	2.5mm ²	4mm ²																																					
19		1.5mm ²	2.5mm ²	4mm ²																																					
20		1.5mm ²	2.5mm ²	4mm ²																																					
21		1.5mm ²	2.5mm ²	4mm ²																																					
22		1.5mm ²	2.5mm ²	4mm ²																																					
23		1.5mm ²	2.5mm ²	4mm ²																																					
24		1.5mm ²	2.5mm ²	4mm ²																																					
25		1.5mm ²	2.5mm ²	4mm ²																																					
26		1.5mm ²	2.5mm ²	4mm ²																																					
27		1.5mm ²	2.5mm ²	4mm ²																																					
28		1.5mm ²	2.5mm ²	4mm ²																																					
29		1.5mm ²	2.5mm ²	4mm ²																																					
30		1.5mm ²	2.5mm ²	4mm ²																																					
31		1.5mm ²	2.5mm ²	4mm ²																																					
32		1.5mm ²	2.5mm ²	4mm ²																																					
33		1.5mm ²	2.5mm ²	4mm ²																																					
34		1.5mm ²	2.5mm ²	4mm ²																																					
35		1.5mm ²	2.5mm ²	4mm ²																																					
36		1.5mm ²	2.5mm ²	4mm ²																																					
37		1.5mm ²	2.5mm ²	4mm ²																																					
38		1.5mm ²	2.5mm ²	4mm ²																																					
39		1.5mm ²	2.5mm ²	4mm ²																																					
40		1.5mm ²	2.5mm ²	4mm ²																																					
41		1.5mm ²	2.5mm ²	4mm ²																																					
42		1.5mm ²	2.5mm ²	4mm ²																																					
43		1.5mm ²	2.5mm ²	4mm ²																																					
44		1.5mm ²	2.5mm ²	4mm ²																																					
45		1.5mm ²	2.5mm ²	4mm ²																																					
46		1.5mm ²	2.5mm ²	4mm ²																																					
47		1.5mm ²	2.5mm ²	4mm ²																																					
48		1.5mm ²	2.5mm ²	4mm ²																																					
49		1.5mm ²	2.5mm ²	4mm ²																																					
50		1.5mm ²	2.5mm ²	4mm ²																																					

As much as possible shortest path for the 12V cables
Branching cables without interrupting the main cable
Transformer must be placed in centre of the connected fixtures
Polarity: positive (+) = red or brown, minus (-) = black or blue
Transformer-capacity 25% greater than the sum of conected fixtures



Recommended cable conductor surface (mm²) with cable lengths of 1-50 meters. for parallel connected 24 volt LED fixtures.

Note; This table is an obligation and not a binding opinion. If necessary, make a electrical resistance calculation ($Pouillet A \times R = p \times l$)

24 Volt	Cable inner conductor 1.5mm ²					Cable inner conductor 2.5mm ²					Cable inner conductor 4mm ²					
	Watt	24	48	72	96	120	144	168	192	216	240	264	288	312	336	360
Kabel-length (m)	Ampere	1	2	3	4	5	6	7	8	9	10	11	12	13	14	15
1																
2																
3																
4																
5																
6																
7																
8																
9																
10																
11																
12																
13																
14																
15																
16																
17																
18																
19																
20																
21																
22																
23																
24																
25																
26																
27																
28																
29																
30																
31																
32																
33																
34																
35																
36																
37																
38																
39																
40																
41																
42																
43																
44																
45																
46																
47																
48																
49																
50																

- As much as possible shortest path for the 12V cables
- Branching cables without interrupting the main cable
- Transformer must be placed in centre of the connected fixtures
- Polarity: positive (+) = red or brown, minus (-) = black or blue
- Transformer-capacity 25% greater than the sum of conected fixtures

